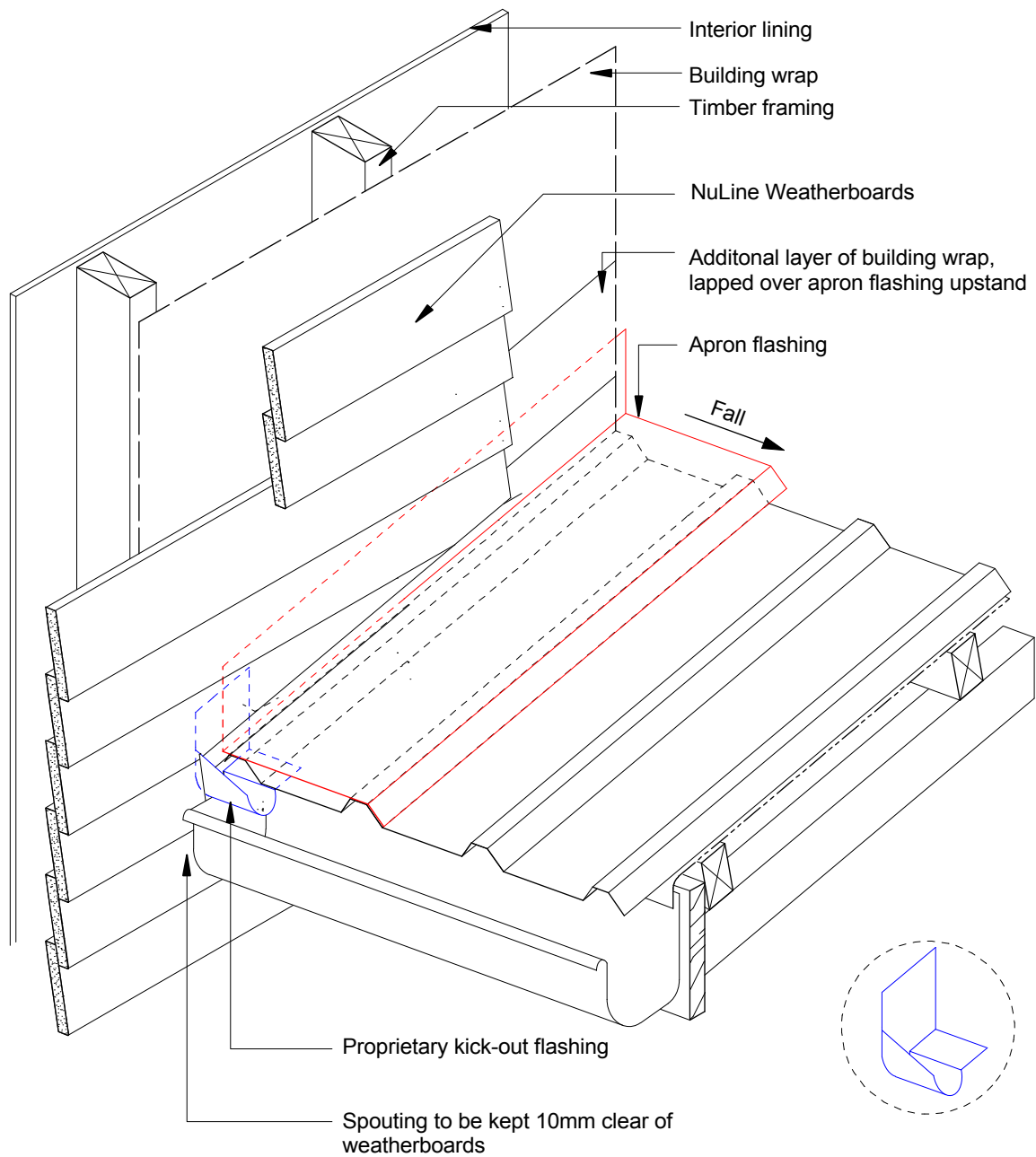


BGC**Fibre Cement**

Note:
Provide transition tray at fascia / wall junction in accordance with NZBC Acceptable Solution E2/AS1

PROFILE NuLine Weatherboards
DETAIL Gutter To Wall Junction
Detail Direct Fixed

DATE Jan 2009
SCALE 1:5 @ A4
DETAIL NO. NU-21 D