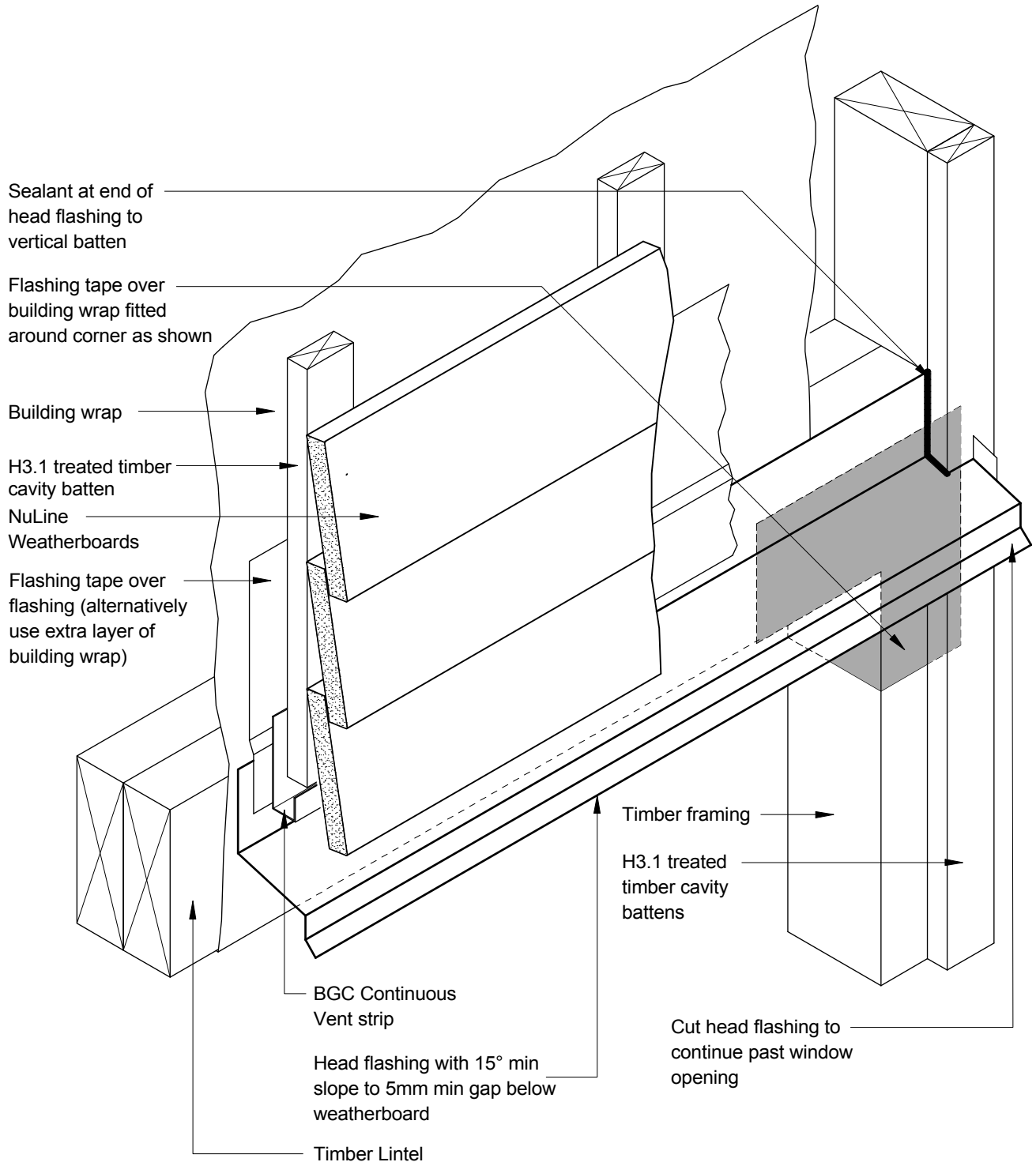


BGC**Fibre Cement**PROFILE **NuLine Weatherboards**DATE **Jan 2009**DETAIL **Window Head/Jamb Junction
Detail Cavity Construction**SCALE **1:5 @ A4**DETAIL NO. **NU-26**